

# INSD05IRHEM

## 5 MP H265 360 Degree Network Hemispheric IR Camera W/SD Slot

- 1/2.7" 5 Megapixel progressive scan CMOS
- 120dB WDR, 3D DNR, HLC, BLC
- H.265+ / H.264+ triple-stream encoding
- 1/1 Alarm in/out, 1/1 audio in/out
- People counting in multiple areas, heat map and track map
- Micro SD card up to 256GB

### Unify your Security Solution

People Counting function works with deep learning algorithms.

This new function can analyze and detect human bodies and also tracking objects in real-time. This advanced feature provides statistics from the entrance and exit of subjects and has an accuracy of 95%.

### Smart H.265+ & H.264+

STORM smart encoding technology can provide high-quality video with higher efficiency and can also reduce the cost of storage space and transmission adopting an advanced algorithm of auto stream control.

### On-board Analytics

This camera responds accurately to specific events in a given area. Our algorithm enables Tripwire violations, intrusion detection, abandoned/missing objects and much more. Facilitate your viewing experience using on the edge analytics – one product, multiple features.

# LiteAI

Edge Analytics



\*Design and specifications are subjects to change without notice.



# INSD05IRHEM

5 MP H265 360 Degree Network  
Hemispheric IR Camera W/SD Slot

## Product Specifications

| Camera                   |  |                     |  |                   |
|--------------------------|--|---------------------|--|-------------------|
| Image Sensor             | 1/2.7" 5 Megapixel progressive scan CMOS   |                     |  |                   |
| Effective Pixels         | 2592 (H) × 1944 (V)  |                     |  |                   |
| RAM/ROM                  | 512 MB / 128 MB  |                     |  |                   |
| Scanning System          | Progressive  |                     |  |                   |
| Electronic Shutter Speed | Auto/Manual 1/3 s–1/100,000 s  |                     |  |                   |
| Minimum Illumination     | 0.006 Lux at F2.0 (Color, 30IRE); 0.0006 Lux at F2.0 (B/W, 30IRE)<br>0 Lux (Illuminator on)  |                     |  |                   |
| S/N Ratio                | More than 56 dB  |                     |  |                   |
| IR Distance              | 10m(33ft)  |                     |  |                   |
| IR LEDs                  | 3  |                     |  |                   |
| Camera Features          |  |                     |  |                   |
| Day/Night                | Auto(ICR) / Color / B/W  |                     |  |                   |
| Backlight Compensation   | BLC / HLC / WDR 120dB  |                     |  |                   |
| White Balance            | Auto / Natural / street lamp / Outdoor / Manual / Regional Custom  |                     |  |                   |
| Gain Control             | Manual   |                     |  |                   |
| Noise Reduction          | 3D DNR   |                     |  |                   |
| Smart Illumination       | Supported  |                     |  |                   |
| Region of Interest       | Yes (4 areas)  |                     |  |                   |
| Privacy Masking          | 4 areas  |                     |  |                   |
| Lens                     |  |                     |  |                   |
| Lens Type                | Fixed Lens   |                     |  |                   |
| Mount Type               | M12  |                     |  |                   |
| Focal Length             | 1.4 mm   |                     |  |                   |
| Max. Aperture            | F2.0   |                     |  |                   |
| Viewing Angle            | Horizontal: 185.0°<br>Vertical: 180.0°<br>Diagonal: 180°   |                     |  |                   |
| DORI Distance            | Detect   | Observe             | Recognize                                  | Identify          |
|                          | 28 m<br>(91.9 ft)  | 11.2 m<br>(36.7 ft) | 5.6 m<br>(18.4 ft)                         | 2.8 m<br>(9.2 ft) |
| Video                    |  |                     |  |                   |
| Compression              | H.265+, H.264+, H.265, H.264, MJPEG (only supported by the sub stream)   |                     |  |                   |
| Resolution               | 5M (2592 × 1944); 3M (2048 × 1536); UXGA (1600 × 1200);<br>1.3M (1280 × 960); 720p (1280 × 720); D1 (704 × 576/704 × 480);<br>VGA (640 × 480); CIF (352 × 288/352 × 240) |                     |  |                   |
| Frame Rate               | Main Stream: 2592 × 1944 at 1–25/30 fps  |                     |  |                   |
|                          | Sub stream:<br>704 × 576 at 1–25 fps   |                     | Third stream:<br>1280 × 720 at 1–25/30 fps |                   |
| Bit Rate                 | H.264: 3 kbps – 8192 kbps<br>H.265: 3 kbps – 8192 kbps   |                     |  |                   |

\*Design and specifications are subjects to change without notice.



# INSD05IRHEM

5 MP H265 360 Degree Network  
Hemispheric IR Camera W/SD Slot

## Product Specifications

| Lite AI             |   |
|---------------------|---|
| People Counting     | Supports people counting in area, and displaying and outputting yearly/monthly/daily reports (matching devices are needed); support people counting in 4 areas  |
| Intelligent Search  | Work together with Smart NVR to perform refine intelligent search, event extraction and merging to event videos.  |
| Smart Features      | Area protector, Intrusion, Tripwire   |
| Audio               |   |
| Audio Compression   | PCM; G.711a; G.711Mu; G726  |
| Audio I/O           | 1/1 RCA ports; Built-in microphone  |
| Alarm               |   |
| Alarm Event         | No SD card; SD card full; SD card error; network disconnection; IP conflict; illegal access; motion detection; video tampering; tripwire; intrusion; scene changing; audio detection; voltage detection; external alarm; people counting in area; stay alarm; people counting; people No. exception detection; safety exception |
| Alarm I/O           | 1 channel in: 5mA 3V–5V DC<br>1 channel out: 300mA 12V DC   |
| Network             |   |
| Cyber Security      | Video encryption; firmware encryption; configuration encryption; Digest; WSSE; account lockout; security logs; IP/MAC filtering; generation and importing of X.509 certification; syslog; HTTPS; 802.1x; trusted boot; trusted execution; trusted upgrade   |
| Storage             | NAS; SFTP; FTP; Micro SD Card up to 256 GB  |
| Management Software | STORM, STORM+, ARKIV  |
| Protocol            | IPv4; IPv6; HTTP; TCP; UDP; ARP; RTP; RTSP; RTCP; RTMP; SMTP; FTP; SFTP; DHCP; DNS; DDNS; QoS; UPnP; NTP; Multicast; ICMP; IGMP; NFS; PPPoE; SNMP   |
| Compatibility       | ONVIF (Profile S/Profile G/Profile T); CGI; Milestone; Genetec; P2P   |
| Maximum User Access | 20  |
| General             |   |
| Power Supply        | 12V DC / PoE  |
| Power Consumption   | Basic power consumption: 3.6W (12V DC); 4.4W (PoE)<br>Max. power consumption (H.265 + IR on + intelligent function + WDR): 7.3W (12V DC); 8.8W (PoE)  |
| Working Environment | –10°C to +50°C (14°F to +122°F); Less than 95% RH   |
| Dimensions          | 44.6 mm × Φ126.2 mm (1.8" × Φ5.0")  |
| Weight              | 299 g (0.7 lb)  |

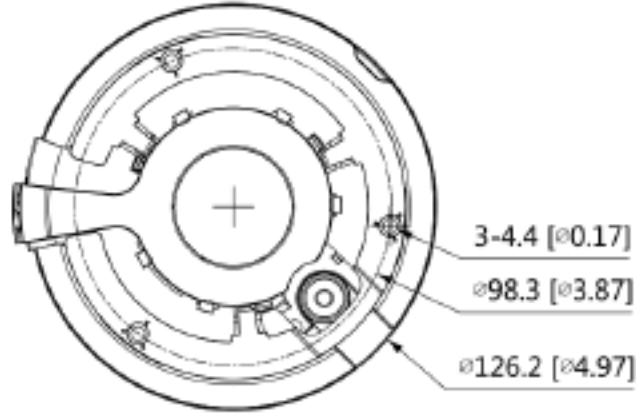
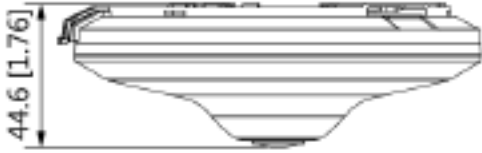
\*Design and specifications are subjects to change without notice.



# INSD05IRHEM

5 MP H265 360 Degree Network  
Hemispheric IR Camera W/SD Slot

## Product Specifications



**INSX203  
Wall Mount**



**INSX152  
Pole Mount**



**VUSD128G  
Micro SD Card**

| Ceiling Mount         | Wall Mount |
|-----------------------|------------|
|                       |            |
| Pole Mount (Vertical) |            |
|                       |            |

\*Design and specifications are subjects to change without notice.

